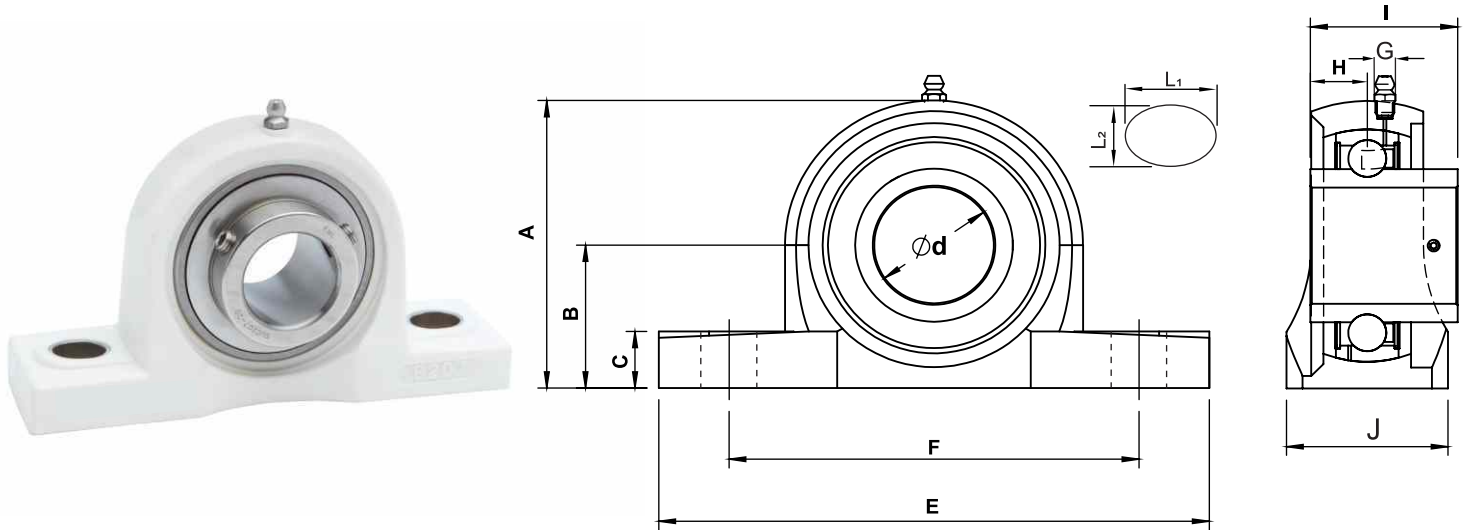


# SPECTRA PLAST - PLASTIC BEARING BLOCK



## UCP - PILLOW BLOCK UNITS



Ød	CODE	A	B	C	E	F	J	L <sub>1</sub>	L <sub>2</sub>	H	I	G
20	P 204	66.0	33.0	14.0	126.5	95.0	37.5	13.5	12.0	13.0	31.0	M6
25	P 205	71.0	35.5	15.0	141.5	105.0	37.5	13.5	12.0	13.5	34.0	M6
30	P 206	84.0	43.0	18.0	163.0	120.0	46.0	18.0	14.0	15.0	38.0	M8
35	P 207	93.5	46.5	18.0	168.0	127.5	47.5	18.0	14.0	16.0	43.0	M8
40	P 208	99.0	49.2	19.5	184.0	137.0	54.0	18.0	14.0	19.0	49.2	M8
45	P 209	108	54.0	26.0	193.0	145.5	54.0	20.0	17.5	18.0	49.5	M8
50	P 210	114	58.5	23.0	205.0	158.5	59.5	20.0	17.5	19.0	55.0	M10